



UNIVERSAL WIRE MANAGEMENT CLIP (33 mm frame)



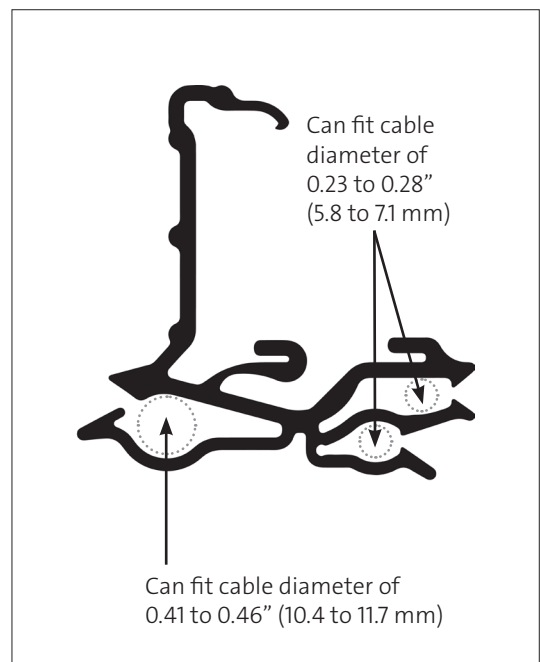
Works with a wide variety of cables

SolarWorld's universal wire management clip simply attaches to both the long-side or the short-side of any 33 mm SolarWorld frame and can accommodate both thicker cables (such as the Enphase trunk cable) and thinner cables (such as module leads or homerun wire).

The universal solution for any scenario

Don't leave your truck without these handy clips in your pouch.

- Quick and easy snap-in-place design
- 20-year warranty
- An excellent wire management solution for rail-less mounting systems
- Ultramid® BASF engineered, glass-reinforced plastic
- Outstanding UV stability, wide operating temperature and humidity range
- High-impact strength
- High resistance to chemicals and corrosion
- Lightweight for easy and inexpensive transport



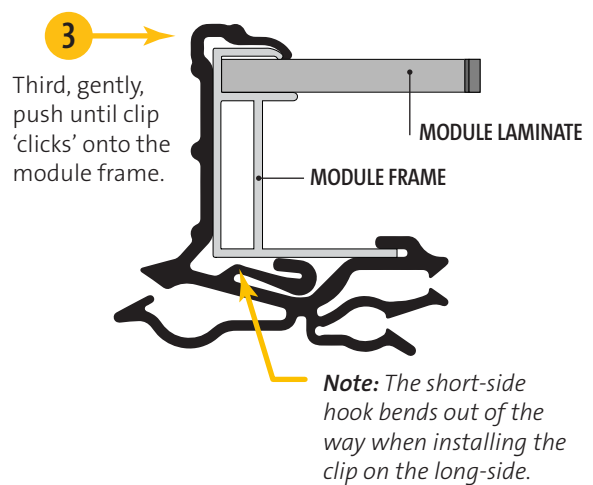
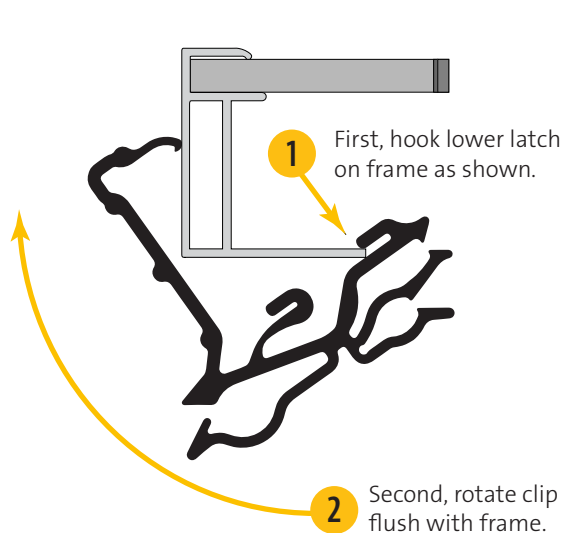
GENERAL SPECIFICATIONS

Material	Nylon UVX, Black
Operating temperature	-40 to 140 °F (-40 to 95 °C)
Humidity	0 to 90 % RH

CERTIFICATIONS

Minimum relative temperature index	UL 2703 Section 7.4
UV exposure	UL 746C
Water exposure and immersion	UL 746C

Installation of clip onto long-side of module



Installation of clip onto short-side of module

